



OVERVIEW

The Valve Works USA Diaphragm Pneumatic Series consists of a lineup of actuators with reliable, proven designs that are engineered and manufactured to meet the requirements of 6A. The Diaphragm Pneumatic Actuation allows for pneumatic powered operation to open and close the gate valve. This series of actuators offers the user several options depending on the specific gate valve size and pressure.

Diaphragm Pneumatic Actuators are similar to each other in design with only slight variations across the lineup, offering a high percentage of parts interchangeability, giving you an efficiency-driven advantage in the management and maintenance of your actuator fleet, and providing optimal life cycle management integrity.

This brochure provides an in-depth look at the details of this series of actuators and explains the features, benefits, characteristics, dimensional & technical data, and other valuable information needed to determine which actuator provides an optimal solution for your specific application.

TABLE 1 - PRODUCT FEATURES

	100 SERIES	120 SERIES	150 SERIES	200 SERIES
AVAILABLE VALVE BORE SIZES & RATED WORKING PRESSURES (psi)	2 1/16" 2/5K	2 1/16" 2/5K 2 9/16" 2/5K 3 1/8" 2K	1 13/16" 10K 2 1/16" 10K 3 1/8" 3/5K 4 1/16" 2/5K	2 9/16" 15K 3 1/8" 10K 4 1/16" 15K 5 1/8" 5K 7 1/16" 2/3K
MAXIMUM OPERATING PRESSURE (psi)	150	150	150	150
AVAILABLE PR^a	1	1	1	1
MATERIAL CLASSES	AA	AA	AA	AA
STEM TYPE	RISING	RISING	RISING	RISING
STEM PACKING TYPE	OPTI-SEAL	OPTI-SEAL	OPTI-SEAL	OPTI-SEAL
REPACKING	YES ^b	YES ^b	YES ^b	YES ^b
TEMPERATURE RANGE	-20°F (-29°C) THRU 180°F (82°C)	-20°F (-29°C) THRU 180°F (82°C)	-20°F (-29°C) THRU 180°F (82°C)	-20°F (-29°C) THRU 180°F (82°C)

a) Performance Requirement.

b) Repacking is achieved via stem backseat method.

TABLE 2 - TEMPERATURE RATINGS

TEMPERATURE CLASSIFICATION	OPERATING RANGE
P	-20°F (-29°C) TO 180°F (82°C)
S	0°F (-18°C) TO 140°F (60°C)
T	0°F (-18°C) TO 180°F (82°C)

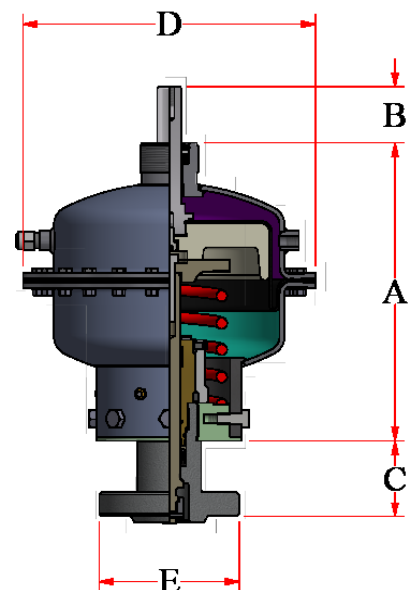
TABLE 3 - MATERIAL REQUIREMENTS

MINIMUM MATERIAL REQUIREMENTS			
MATERIAL CLASS		BODY, BONNET END & OUTLET CONNECTIONS	PRESSURE-CONTROLLING PARTS & STEMS
AA	GENERAL SERVICE	CARBON OR LOW-ALLOY STEEL	CARBON OR LOW-ALLOY STEEL

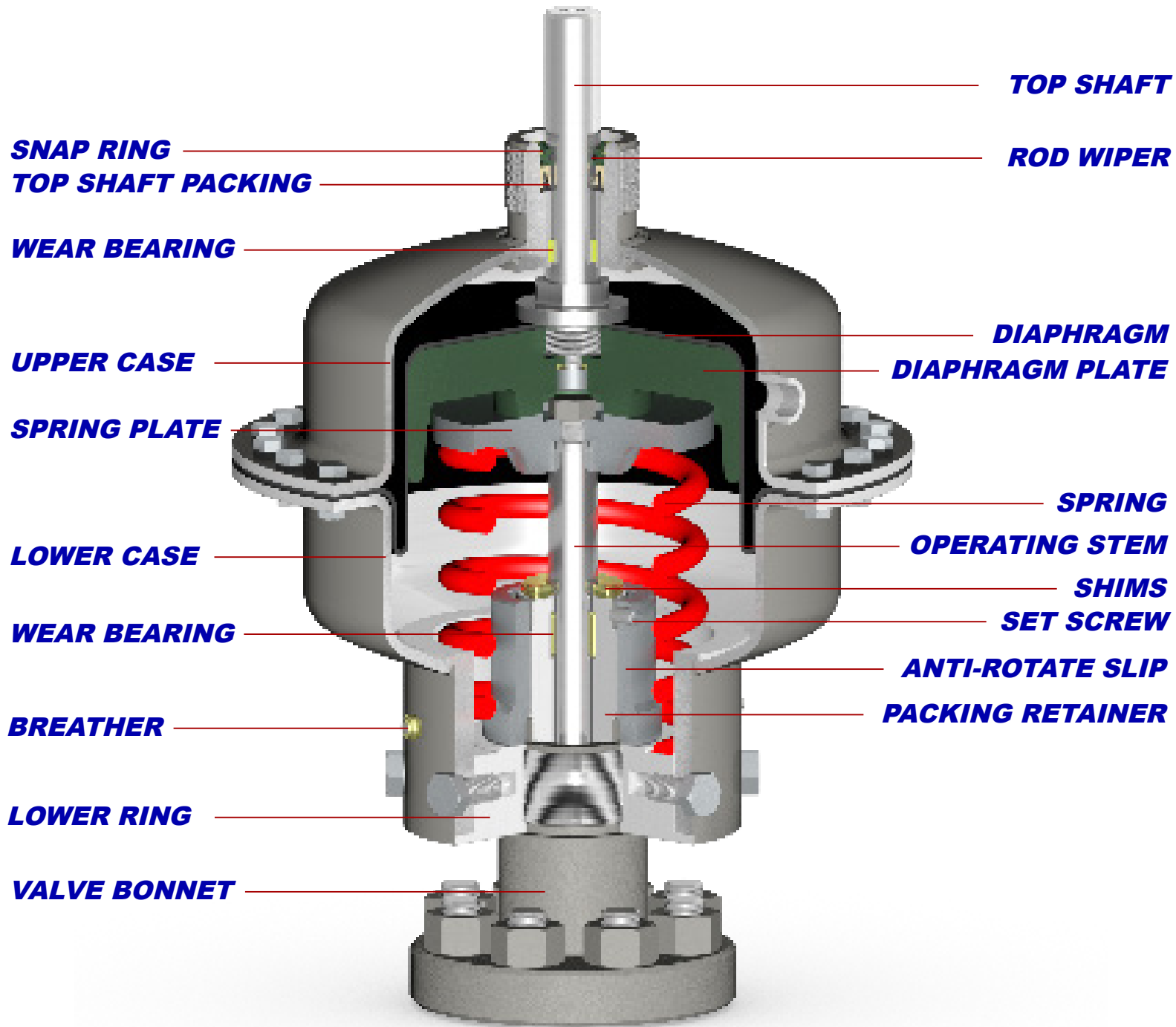
TABLE 4 - TECHNICAL DATA

SERIES	HEIGHT (A)	DIAMETER (D)
100	13 3/4	12 7/8
120	15 1/2	15 1/8
150	17 1/4	18 3/8
200	22 1/4	23 1/2

The dimensions A, B, C, and E may vary for different series of actuators and different valve sizes chosen to accompany them.



*ALL DIMENSIONS ARE IN INCHES



*THE ACTUAL PRODUCT MAY VARY SLIGHTLY FROM SHOWN SCHEMATIC DUE TO ENGINEERING APPROVED VARIATION

ENGINEERED - DESIGNED - VERIFIED - QUALITY ASSURED - CERTIFIED - FIELD PROVEN - CREDIBLE - SUPPORTED