

2



1

ENGINEERED - DESIGNED - VERIFIED - QUALITY ASSURED - CERTIFIED - FIELD PROVEN - CREDIBLE - SUPPORTED

MODEL FM1
 7 1/16" 15,000 P.S.I. (HANDWHEEL OPERATED)
 OPERATION: BI-DIRECTIONAL - SLAB GATE
 TO OPEN AND CLOSE:
 BACKOFF HANDWHEEL 1/4 TURN
 (GATE SHOWN IN OPEN POSITION)

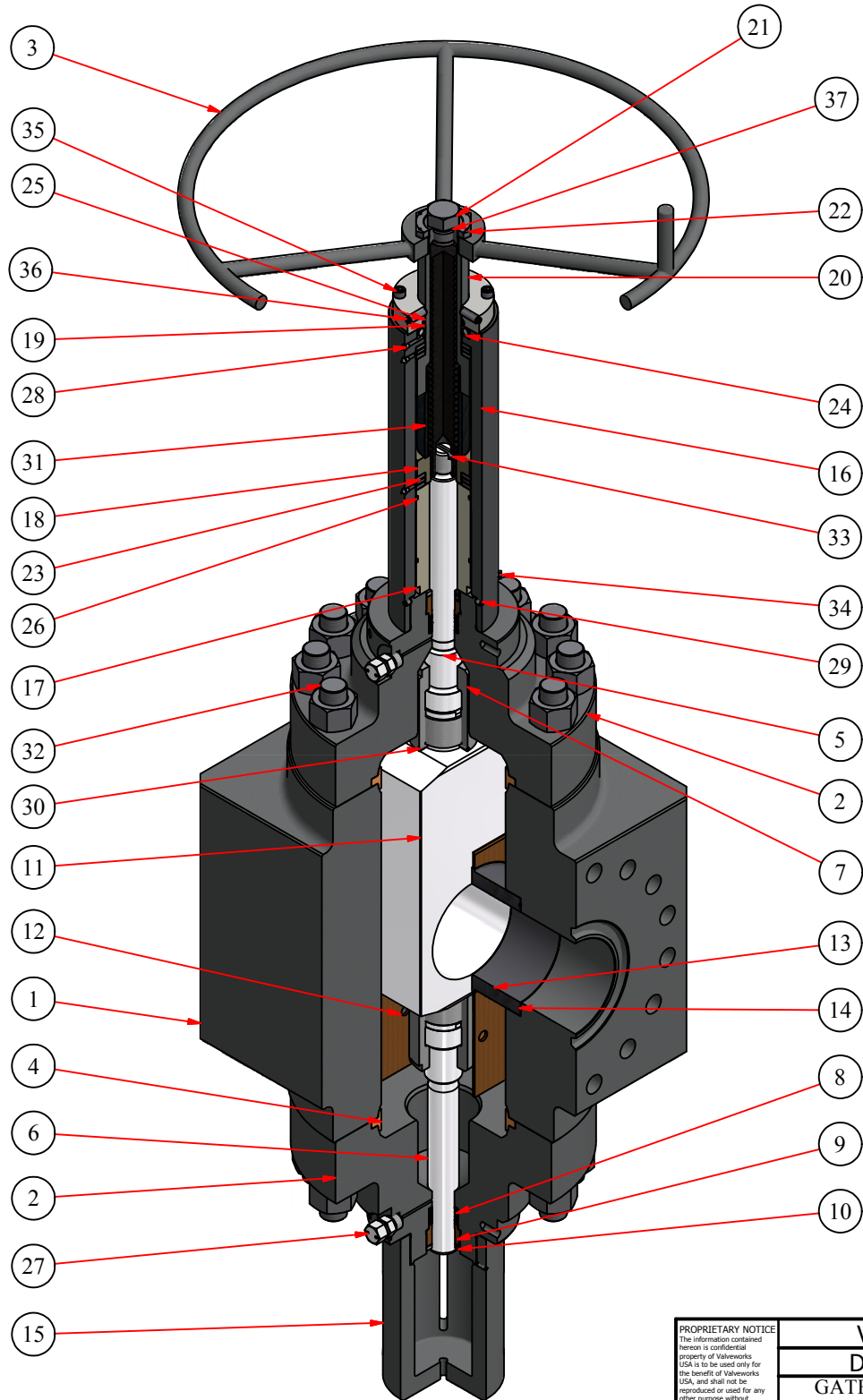
B

B



A

A



DISCLAIMER: THE ACTUAL PRODUCT MAY VARY SLIGHTLY FROM SHOWN SCHEMATIC DUE TO ENGINEERING APPROVED VARIATION.

PROPRIETARY NOTICE The information contained herein is confidential property of Valveworks USA and shall not be reproduced or used for any other purpose without consent of Valveworks USA.		Valveworks USA DETAIL DRAWING GATE, VALVE ASSEMBLY 7 1/16" 15M, MODEL FM1 BALL SCREW OPERATED STUDED OUTLET	
DRAWN BY:	MS	SIZE:	DWG NO
ECCO NO.	510	A	898-FM1-8700
APPROVED BY:	MDT	SCALE:	NTS
RELEASE DATE:	09/01/2015		
			REV -2
			SHEET 1 OF 2

2



1



ASSEMBLY PARTS LIST

ITEM	DESCRIPTION	QTY
1	BODY, STUDDED	1
2	BONNET	2
3	HANDWHEEL	1
4	BONNET SEAL RING	2
5	STEM, OPERATING	1
6	STEM, BALANCE	1
7	GATE NUT	2
8	PACKING	2
9	PACKING RETAINER NUT	2
10	PACKING RETAINER LOCKNUT	2
11	GATE, SLAB	1
12	GATE GUIDE	2
13	SEAT	2
14	SEAT SEAL	2
15	STEM PROTECTOR	1
16	HOUSING, BALLSCREW	1
17	BEARING SPACER, LOWER	1
18	BEARING SPACER, UPPER	1
19	COVER PLATE	1
20	STEM, ADAPTER	1
21	GLAND, BACKSEAT	1
22	HANDWHEEL NUT	1
23	BEARING, INTERNAL	2
24	BEARING, EXTERNAL	1
25	ROD WIPER	1
26	O-RING	2
27	AUTOCLAVE FITTING	2
28	ALEMITE FITTING	3
29	SET SCREW	4
30	SET SCREW	5
31	BALLSCREW, LH THREAD	1
32	STUD W/ NUT	24
33	ROLL PIN	1
34	BOLT, HEX HD.	2
35	CAP SCREW	4
36	SET SCREW	4
37	O-RING	1

PROPRIETARY NOTICE The information contained herein is confidential property of Valveworks USA to be used only for the benefit of Valveworks USA, and shall not be reproduced or used for any other purpose without consent of Valveworks USA.		Valveworks USA DETAIL DRAWING GATE, VALVE ASSEMBLY 7 1/16" 15M, MODEL FM1 BALL SCREW OPERATED STUDDED OUTLET	
DRAWN BY:	MS	SIZE:	A
ECCO NO.	510	DWG NO.	898-FM1-8700
APPROVED BY:	MDT	SCALE:	NTS
RELEASE DATE:	09/01/2015	SHEET:	2 OF 2

